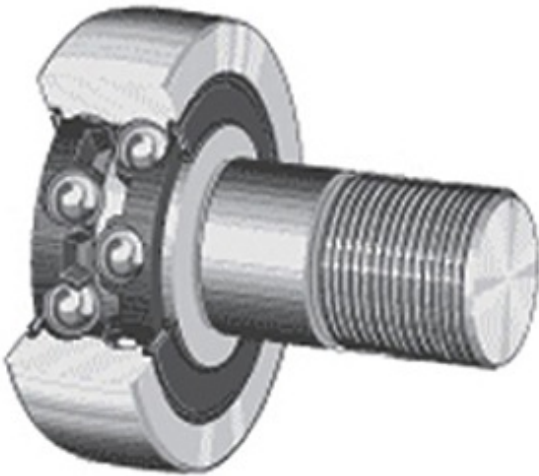




OSBORN LOAD RUNNERS PLRS-1-3/4 Cam Follower and Track Roller - Stud Type



PLRS-1-3/4 Bearing 2D drawings and 3D CAD models

Bearing No. PLRS-1-3/4

Category	Cam Follower and Track Roller - Stud Type
Inventory	0.0
Manufacturer Name	OSBORN
Minimum Buy Quantity	N/A
Weight	0.363
Product Group	B04120
Roller Surface Profile	Flat
Profile	Stud Type
Thread Size	3/4-16
Stud Profile	Standard Stud
Enclosure	Sealed
Rolling Element	Ball Bearing - Double Row
Relubricatable	No
Hex Socket	Yes
Inch - Metric	Inch
Other Features	Corrosion Resistant Stainless Steel Tread
Long Description	1-3/4" Roller Diameter; 1-3/16" Roller Width; Flat Roller Surface; Stud Type; 3/4" Stud Diameter; 3/4-16 Thread; Standard Stud; Sealed; Ball Bearing - Double Row; Not Relubricatable; He
Category	Cam Followers Stud Type
UNSPSC	31171530



NTN MANUFACTURING DE MEXICO,S.A.DE C.V.

Harmonized Tariff Code	8482.10.50.68
Noun	Bearing
Keyword String	Cam Follower
Manufacturer URL	http://www.osborn.com
Manufacturer Item Number	PLRS-1 3/4
Manufacturer Internal Number	90341
Weight / LBS	0.8
Roller Diameter	1.75 Inch 44.45 Millimeter
Roller Width	1.188 Inch 30.175 Millimeter
Stud Diameter	0.75 Inch 19.05 Millimeter