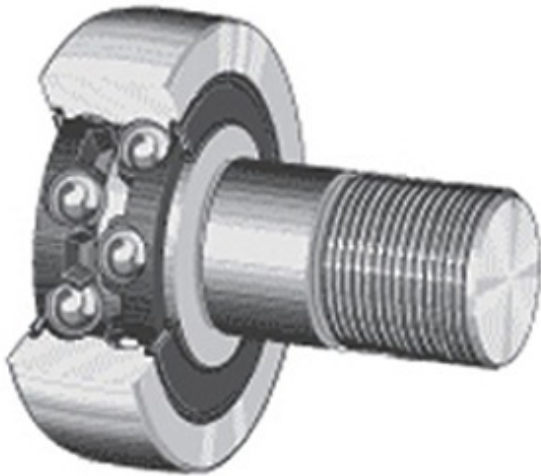




OSBORN LOAD RUNNERS PLRU-2 Cam Follower and Track Roller - Stud Type



PLRU-2 Bearing 2D drawings and 3D CAD models

Bearing No. PLRU-2

Category	Cam Follower and Track Roller - Stud Type
Inventory	0.0
Manufacturer Name	OSBORN
Minimum Buy Quantity	N/A
Weight	0.554
Product Group	B04120
Roller Surface Profile	Flat
Profile	Stud Type
Thread Size	7/8-14
Stud Profile	Standard Stud
Enclosure	Sealed
Rolling Element	Ball Bearing - Double Row
Relubricatable	No
Hex Socket	Yes
Inch - Metric	Inch
Other Features	Impact Resistant Urethane Tread Reduced Track Wear
Long Description	2" Roller Diameter; 1-11/16" Roller Width; Flat Roller Surface; Stud Type; 7/8" Stud Diameter; 7/8-14 Thread; Standard Stud; Sealed; Ball Bearing - Double Row; Not Relubricatable; Hex S
Category	Cam Followers Stud Type



NTN MANUFACTURING DE MEXICO,S.A.DE C.V.

UNSPSC	31171530
Harmonized Tariff Code	8482.10.50.68
Noun	Bearing
Keyword String	Cam Follower
Manufacturer URL	http://www.osborn.com
Manufacturer Item Number	PLRU-2
Manufacturer Internal Number	97747
Weight / LBS	1
Roller Width	1.688 Inch 42.875 Millimeter
Roller Diameter	2 Inch 50.8 Millimeter
Stud Diameter	0.875 Inch 22.225 Millimeter